



WOOD COMPOSITE 6' FENCE PANEL KIT INSTALLATION INSTRUCTIONS WITH RAIL KIT FOR ESTATE STYLE

TimberWolf® Wood Composite Fencing is Engineered to Last a Lifetime. These installation instructions are for Estate Style, side mount installation on level ground. To ensure that you have the most up-to-date version of the installation instructions please check our website at www.TimberWolfComposites.com.

BE AWARE: Because wood-plastic composite materials are non-structural, it is very important to follow these instructions carefully. Following these instructions will ensure proper installation, your warranty is validated, and that TimberWolf® is the last fence your home will ever need.

IMPORTANT: Please refer to the instructions included in the 6' Panel Kit where noted.

STEP 1. RE-VERIFY MATERIALS NEEDED FOR EACH 6FT PANEL SECTION

1 PANEL KIT

- 13 Pickets • 3 Rails • TimberWolf® Adhesive
- 78 1-5/8" corrosion resistant screws for pickets
- 6 Brackets with 30 1" coarse-thread, corrosion-resistant pan head screws

1 POST KIT*

- 1 Post • 1 Cap
- 2 Self-Tapping Screws
- 1 92" length of 2-3/8" OD Steel Pipe (2 Pieces)

PLUS

1 RAIL KIT

- 3 Facade Rails
- 15 screws

ADDITIONAL MATERIALS REQUIRED FOR EACH 6FT PANEL SECTION

- 25 lbs of gravel
- 4 60 lb bags of concrete
- 4 small tacks (optional)
- 1 8' length of 2-3/8" OD Steel Pipe** for each POST (if not included in post kit)

*NOTE: An Additional Post Kit is required for the fence end.

EXAMPLE

An 18ft fence line would require 3 Panel Kits, 3 Rail Kits and 4 Post Kits.

**NOTE: SEE IMPORTANT INSTALLATION INFORMATION ITEM #3 ON PANEL KIT INSTRUCTIONS

STEP 2. SET POSTS USING STEEL PIPES FOR STRUCTURAL INTEGRITY (SEE PANEL KIT INSTRUCTIONS)

STEP 3. INSTALL RAIL BRACKETS AND RAILS

1 Left and right rail brackets should be attached to inside of posts, with screw holes positioned at 3/4" from back edge of post. Position the bottom edge of brackets at 4-1/2", 37-3/4", and 71" from top of post and attach using corrosion-resistant 1" coarse-thread pan head screws. Ensure brackets are vertical and in line with each other.

4-1/2"
37-3/4"
71"
Back of Rail

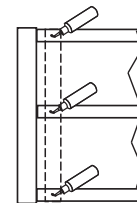
2 Attach rails to brackets using corrosion-resistant 1" coarse-thread pan head screws. Equally space the rails between posts, allowing slight space between rail and post.

Leave slight space
Back of Rail

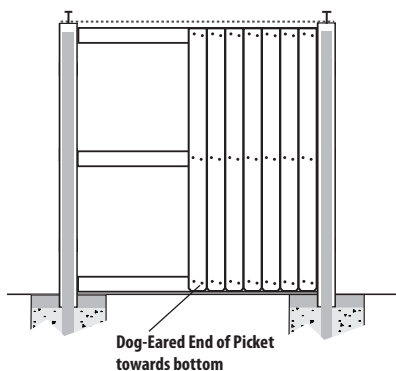
STEP 4. INSTALL PICKETS AND FACADE RAILS

- 1** Apply a thin bead of TimberWolf® Adhesive onto each of the 3 rails and attach picket. Repeat for each picket.

IMPORTANT: TimberWolf® Adhesive **MUST** be used on all rails before pickets are attached to ensure structural integrity.



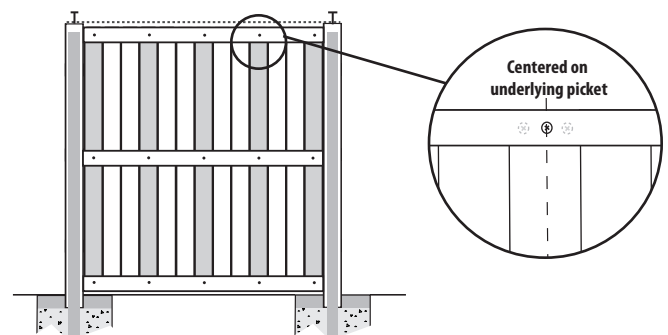
Attach Pickets to Rails



- 2** Place picket (dog-ear towards the bottom) against rail, lining up so pickets are ~1" off ground, level across the top rail, and checked for plumb alignment. Evenly space pickets across rail and attach using 1-5/8" corrosion-resistant screws. Use 2 fasteners each where attached to rail, 6 per picket.

NOTE: Ensure screw head is flush with rail and burrs are removed.

Attach Facade Rails to Pickets



- 3** Attach bottom of the facade rails at 4-1/2" (ensuring top of rail is flush with pickets), 37-3/4" (bottom edge rail measurement) and 71" (ensuring bottom of rail is flush with pickets) using screws included in rail kit. Use 5 fasteners per facade rail. Attach fasteners through rail centered on the underlying picket at the intervals shown in the above diagram.

NOTE: Ensure screw head is flush with rail and burrs are removed.

Top View - Estate Style



STEP 5. ATTACH POST CAPS (SEE PANEL KIT INSTRUCTIONS)